

NEOTRA™
ADVANCED SURFACES

SPA | INMENSA





about us
4

SPA collection
14

INMENSA collection
50

tech info
72

WHAT IS NEOTRA?

An innovative material in large slabs specifically developed for worktops, tables, furniture and external facades. Neotra Advanced Surfaces are composed solely of natural minerals minus resins or chemical binders.

Developed under extreme pressure and heat (fired at 1200 ° centigrade) making it far superior to any natural or artificial stone. Neotra is available in 12mm and 20mm thickness offering contemporary designs in homogenous and full body designs.



Neotra Advanced Surfaces offer designs that flaunt unique features, an individualistic streak, superior quality, and advanced technology within a state-of-the-art infrastructure facility which produces the best products with a distinct edge. These slabs are resistant to high temperature, require low maintenance effort as these are liquid repellent, scratch resistant and are easy to mould. Install and elevate the look of your living spaces with Neotra Stones.



Anti-Bacterial surface



Scratch and Abrasion resistant



Liquid repellent



Fire resistant



Heat resistant



Chemical and Stain resistant



Frost resistant



Impact resistant



Resistant to bending



Lowest maintenance efforts



NEO SCUDO TECH™

PROTECTIVE HYGIENIC SURFACES

**Anti-bacterial, anti-virus, anti-fungal,
anti-algae**

It helps the surface repel any liquid. Unwanted and harmful living organisms cannot remain or grow on surfaces, which can be kept safe and clean with minimal effort.



NSF International certification



NEO SENSO™

SMOOTH. ELEGANT. ENDURING

The softest tactile experience: Neo-Senso is a surface finish that is incredibly pleasant to touch, yet resistant to scratches and stains. Thanks to an exclusive and patented Italian technology, Neo Senso takes the surface quality to where no other technology can reach, overcoming the myth that smooth surfaces scratch and stain.

collections

SPA

Establish an ageless prominence in your living spaces.

16
SPA White



18
SPA Silver



20
SPA Black



22
SPA Mocha



24
SPA Barley



26
SPA Bianco



INMENSA

Instill the fascinating elegance and charm.

52
Carrara
Twing



54
Michelangelo
Rust



56
Saron
Night



58
Statuario
Natural



60
Agarsen
Nero



62
Statuario
Elegant



2 thickness

12mm

**GLORIOUS TOPS
WITH REGAL STYLE**

Get magnificent kitchens
styled by Neotra Advanced Surfaces.

20mm

**ENVISION THIS BEAUTY
IN YOUR DÉCOR**

Transforming kitchens into
beautiful living spaces.



Flat



Birds Beak



1/4 Bevel



45° Corner



1/4 Radius



Soft Corner



1/2 Bullnose*



Full Bullnose*



Knife*

* half bullnose, full bullnose, knife can be achieved on the SPA collection as these are fullbody.

**Edge
profiles**

Giving nice trim to edges of the tiles that adds to its beauty. As these tiles are of the good thickness of 12mm and 20mm, it is possible to shape its edges in different styles and create aesthetically rich countertops for your space. Well trimmed edges also make for cleaner and elegant joints.

SPA Collection

A flawless blend of elegance and durability. Maintains all the parameters of surfaces strength, water absorption and heat resistance.



White

145x320cm
57"x126"
20mm Non Rectified

160x320cm
63"x126"
12mm Rectified



SPA . White
145x320cm
57"x126"
20mm Non Rectified

160x320cm
63"x126"
12mm Rectified



Silver

145x320cm
57"x126"
20mm Non Rectified

160x320cm
63"x126"
12mm Rectified



SPA - Silver
145x320cm
57"x126"
20mm Non Rectified

160x320cm
63"x126"
12mm Rectified



SPA

Black

145x320cm
57"x126"
20mm Non Rectified

160x320cm
63"x126"
12mm Rectified



SPA . **Black**
145x320cm
57"x126"
20mm Non Rectified

160x320cm
63"x126"
12mm Rectified



Mocha

145x320cm
57"x126"
20mm Non Rectified

160x320cm
63"x126"
12mm Rectified



Barley

145x320cm
57"x126"
20mm Non Rectified

160x320cm
63"x126"
12mm Rectified

SPA **Barley**
145x320cm
57"x126"
20mm Non Rectified

160x320cm
63"x126"
12mm Rectified



Bianco

145x320cm
57"x126"
20mm Non Rectified

160x320cm
63"x126"
12mm Rectified



SPA **Bianco**
145x320cm
57"x126"
20mm Non Rectified

160x320cm
63"x126"
12mm Rectified



Barley

145x320cm
57"x126"
20mm Non Rectified

160x320cm
63"x126"
12mm Rectified



SPA . Barley
145x320cm
57"x126"
20mm Non Rectified

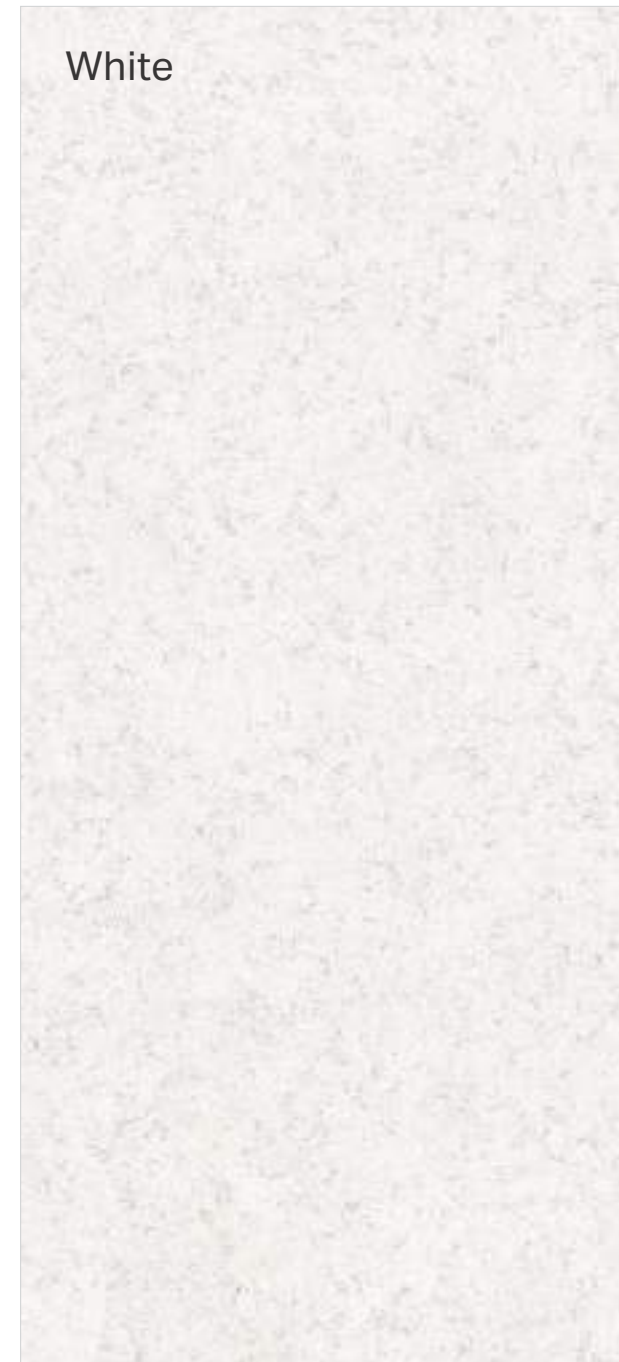
160x320cm
63"x126"
12mm Rectified



SPA Collection



Create a grand and fabulous kitchen space with SPA Collection as these surfaces give your decor a dynamic and compelling style.



Rectified	12mm	1600x3200mm	63"x126"
Non Rectified	20mm	1450x3200mm	57"x126"

Rectified	12mm	1600x3200mm	63"x126"
Non Rectified	20mm	1450x3200mm	57"x126"



Rectified	12mm	1600x3200mm	63"x126"
Non Rectified	20mm	1450x3200mm	57"x126"

Rectified	12mm	1600x3200mm	63"x126"
Non Rectified	20mm	1450x3200mm	57"x126"

Rectified	12mm	1600x3200mm	63"x126"
Non Rectified	20mm	1450x3200mm	57"x126"

Rectified	12mm	1600x3200mm	63"x126"
Non Rectified	20mm	1450x3200mm	57"x126"

SPA Collection

Introducing the 1600x1600mm specification especially for high-traffic commercial environments. Built for Retail, Hotels, Hospitals and Airports combining aesthetic & durability





White

160x160cm
63"x63"
12mm Rectified

SPA . White
160x160cm
63"x63"
12mm Rectified



Silver

160x160cm
63"x63"
12mm Rectified



SPA . Silver
160x160cm
63"x63"
12mm Rectified



Black

160x160cm
63"x63"
12mm Rectified

Mocha

160x320cm
63"x126"
12mm Rectified

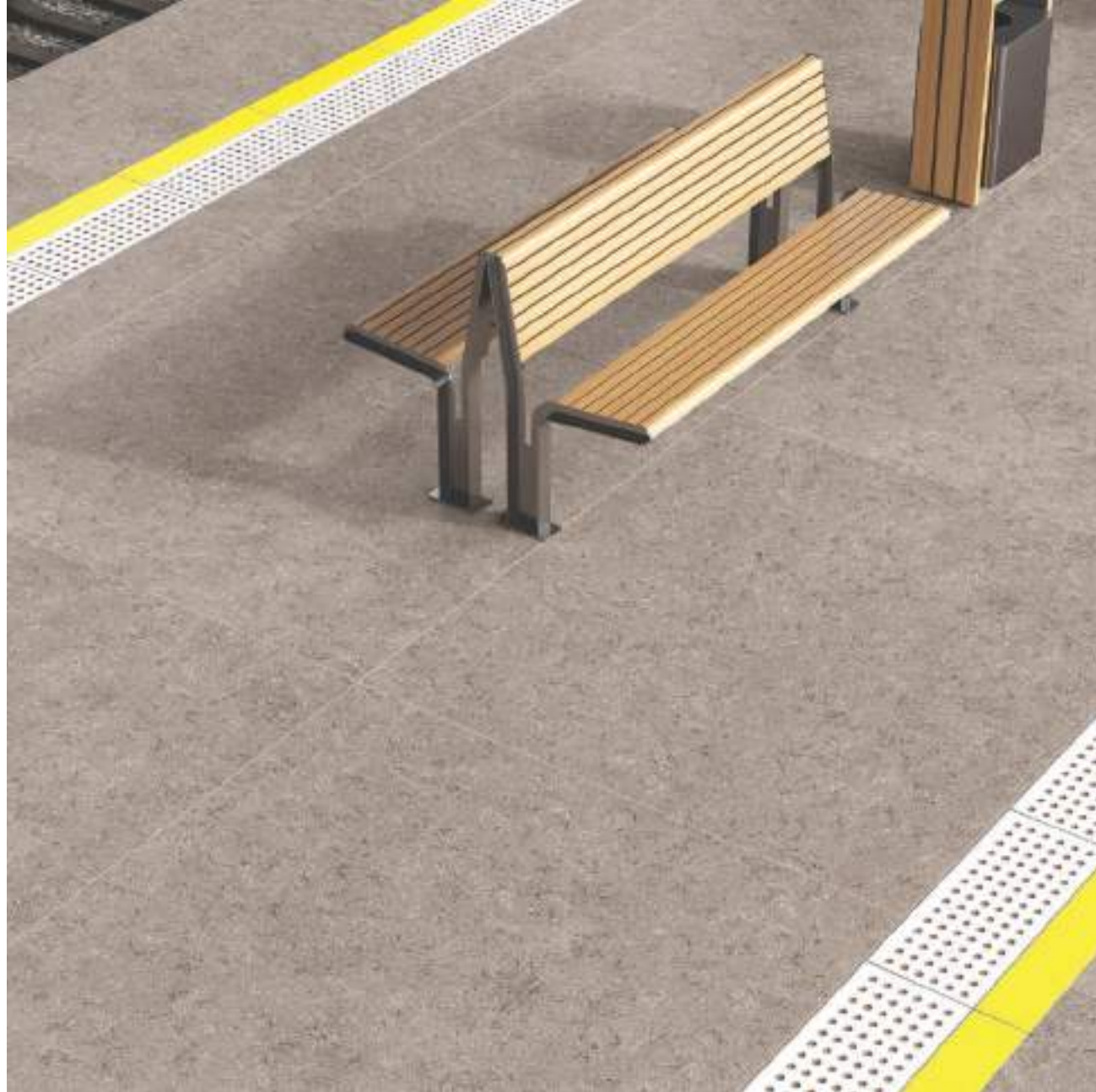


SPA - Mocha
160x160cm
63"x63"
12mm Rectified



Barley

160x320cm
63"x126"
12mm Rectified



SPA Barley
160x160cm
63"x63"
12mm Rectified



Bianco

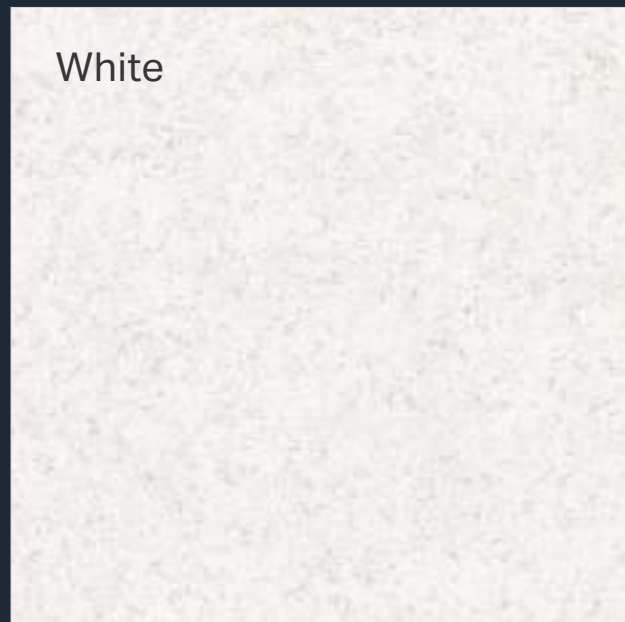
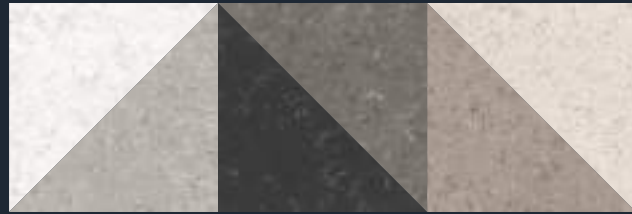
160x320cm
63"x126"
12mm Rectified



SPA . Bianco
160x160cm
63"x63"
12mm Rectified

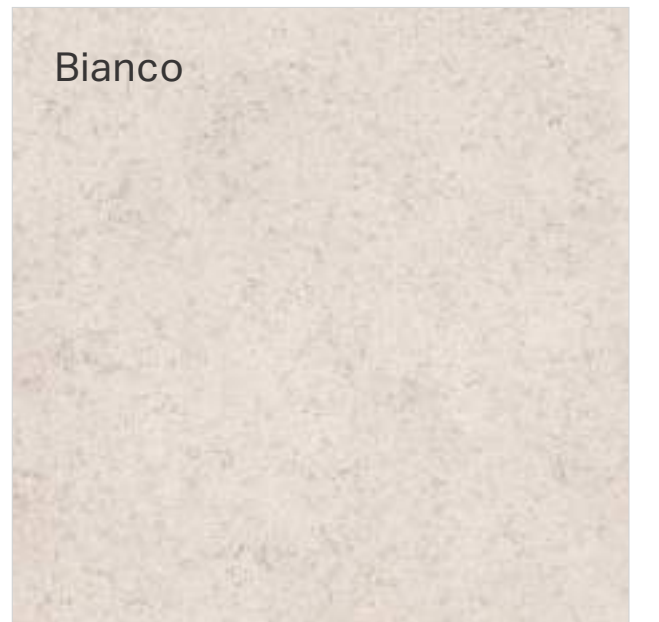


SPA Collection



Rectified 12mm 1600x1600mm 63"x63"

Rectified 12mm 1600x1600mm 63"x63"

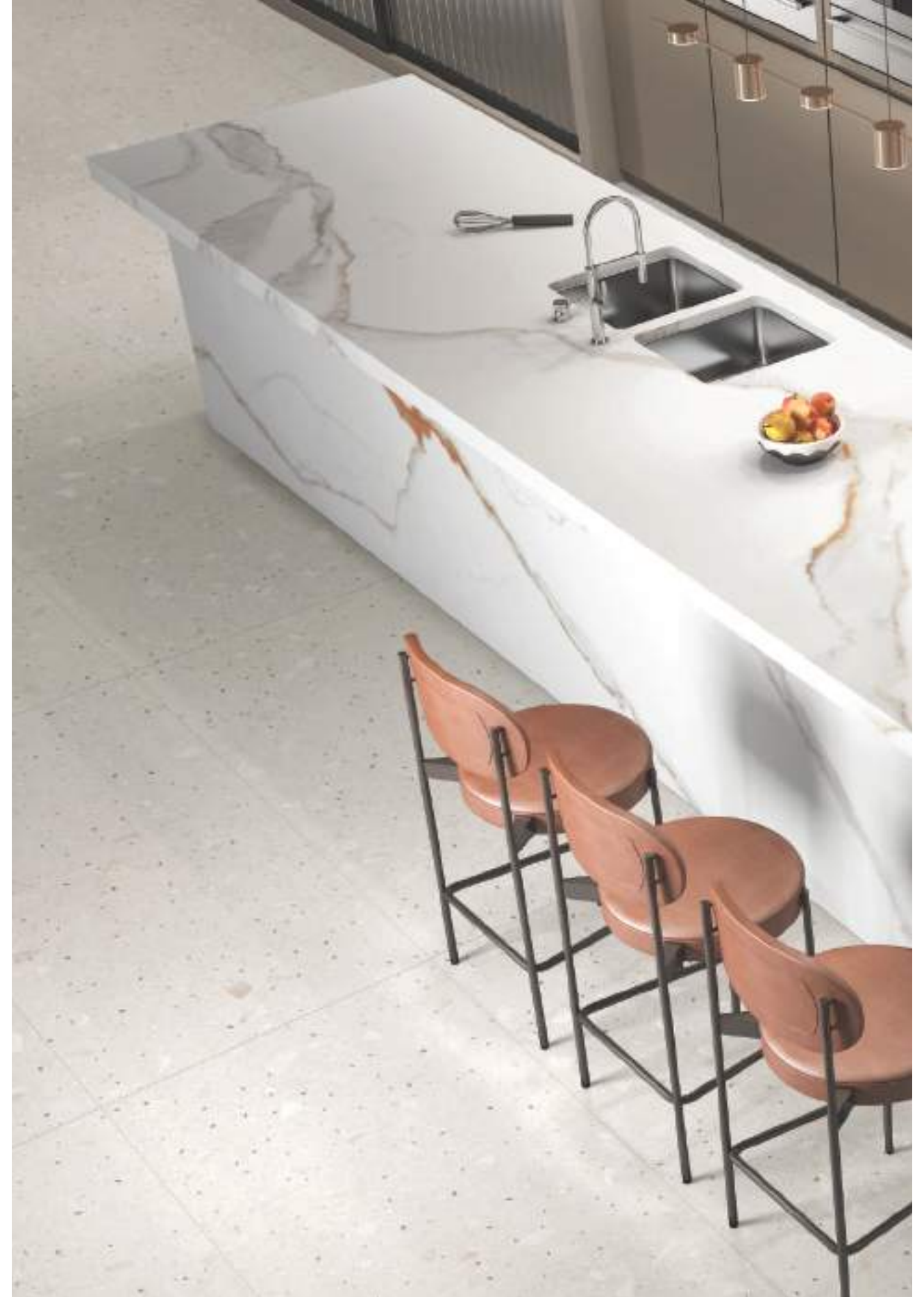


Rectified 12mm 1600x1600mm 63"x63"

Rectified 12mm 1600x1600mm 63"x63"

INMENSA

An immensely timeless collection of surfaces offering a refined marble experience in your spaces.



Carrara Twing

145x320cm
57"x126"
20mm Non Rectified

160x320cm
63"x126"
12mm Rectified



INMENZA. Carrara Twing
145x320cm
57"x126"
20mm Non Rectified

160x320cm
63"x126"
12mm Rectified



Michelangelo Rust

145x320cm
57"x126"
20mm Non Rectified

Floor
160x320cm
63"x126"
12mm Rectified



INMENZA . Michelangelo Rust
145x320cm
57"x126"
20mm Non Rectified

160x320cm
63"x126"
12mm Rectified



Sarona Night

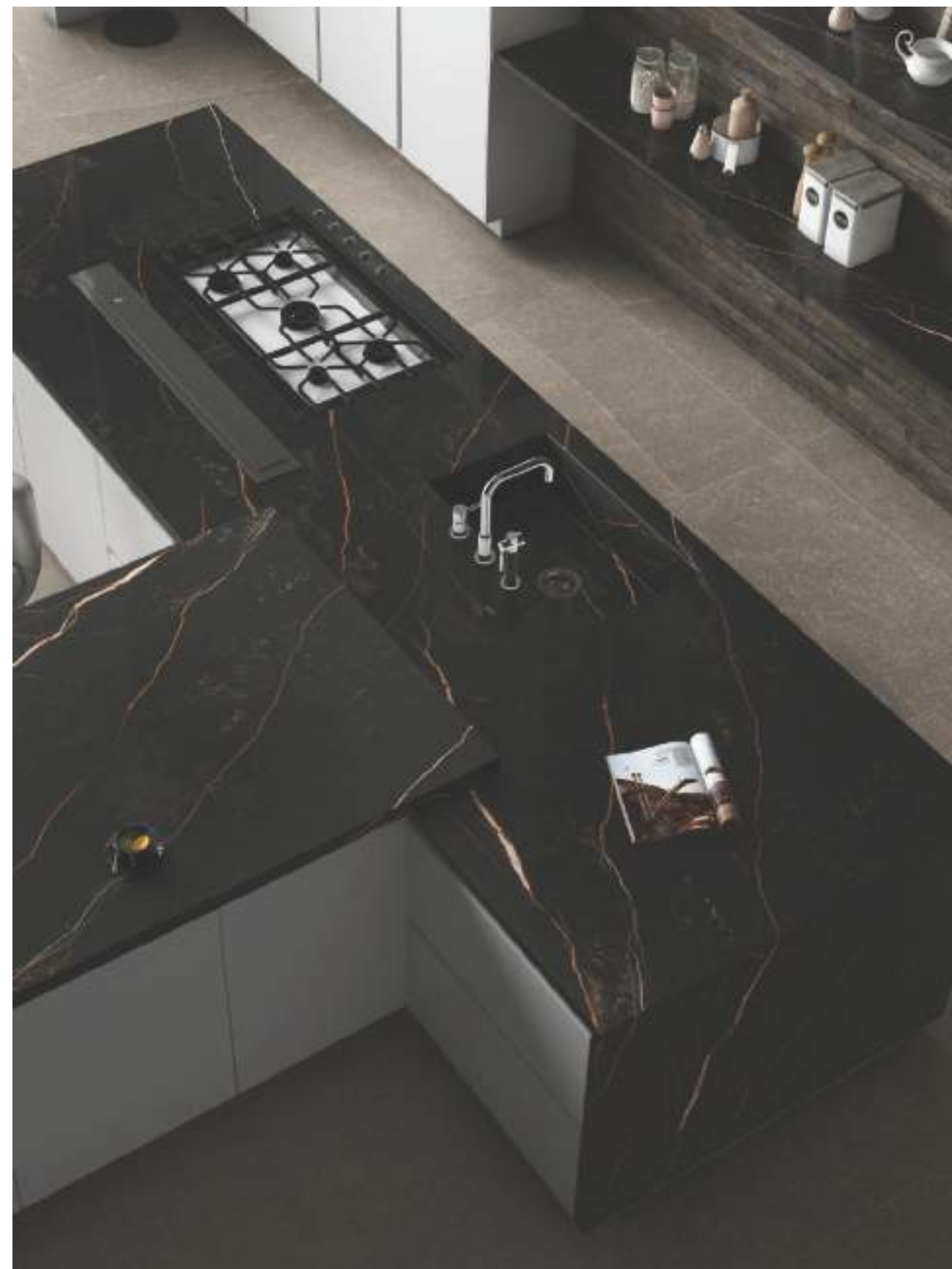
145x320cm
57"x126"
20mm Non Rectified

160x320cm
63"x126"
12mm Rectified



INMENZA . Sarona Night
145x320cm
57"x126"
20mm Non Rectified

160x320cm
63"x126"
12mm Rectified



Statuario Natural

145x320cm
57"x126"
20mm

160x320cm
63"x126"
12mm



INMENZA . Statuario Natural
145x320cm
57"x126"
20mm Non Rectified

160x320cm
63"x126"
12mm Rectified



Agarsen Nero

145x320cm
57"x126"
20mm Non Rectified

160x320cm
63"x126"
12mm Rectified



INMENZA . Agarsen Nero
145x320cm
57"x126"
20mm Non Rectified

160x320cm
63"x126"
12mm Rectified





Statuario Elegant

145x320cm
57"x126"
20mm Non Rectified

Floor
160x320cm
63"x126"
12mm Rectified

INMENZA . Statuario Elegant
145x320cm
57"x126"
20mm Non Rectified

160x320cm
63"x126"
12mm Rectified



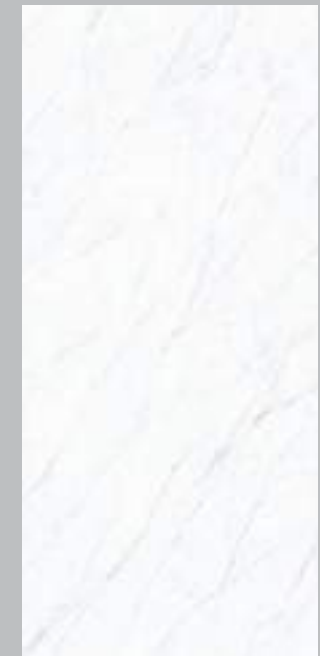
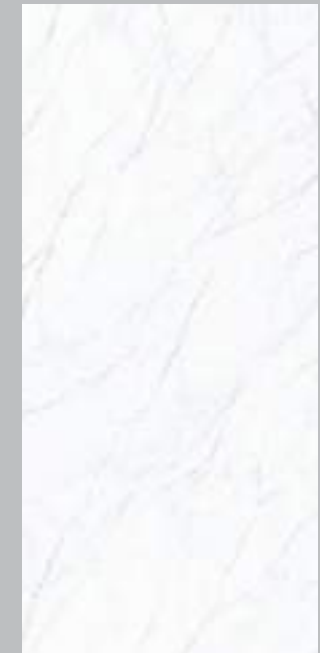
INMENSA Collection



Bring the charismatic charm to your Kitchen and dining spaces with the exquisite marble designs of INMENSA collection.



20mm - Single Face - 1



12mm - Random - 3

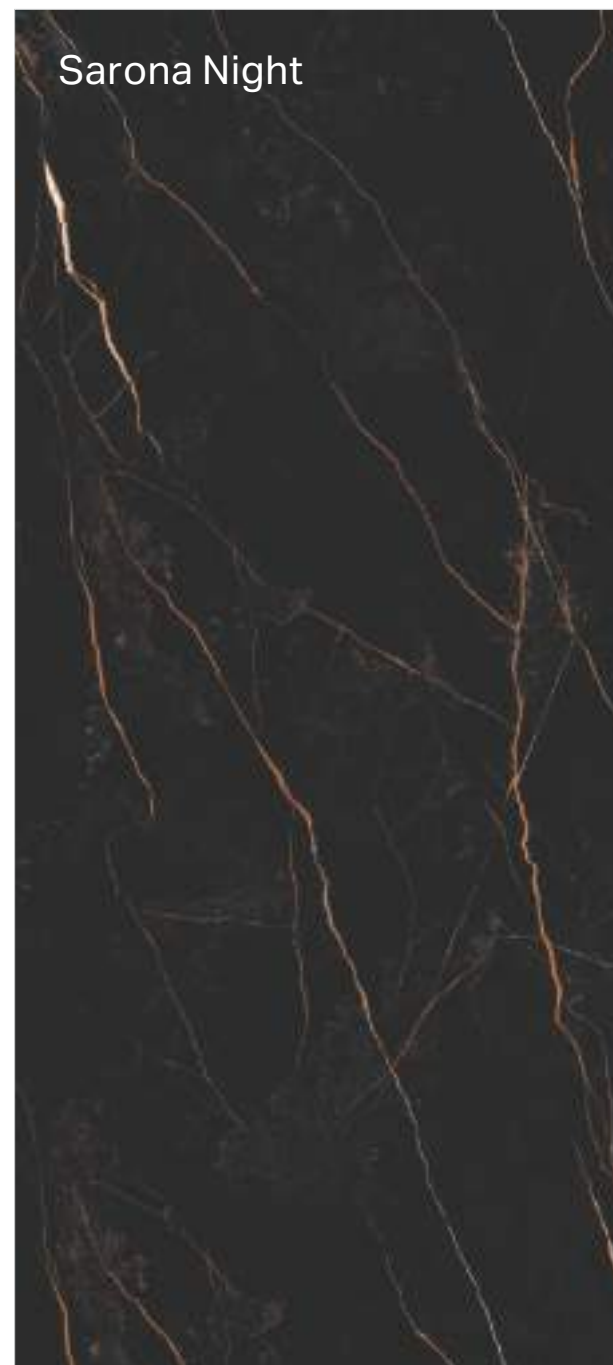
Rectified	12mm	1600x3200mm	63"x126"
Non Rectified	20mm	1450x3200mm	57"x126"



20mm - Single Face - 1

12mm - Random - 3

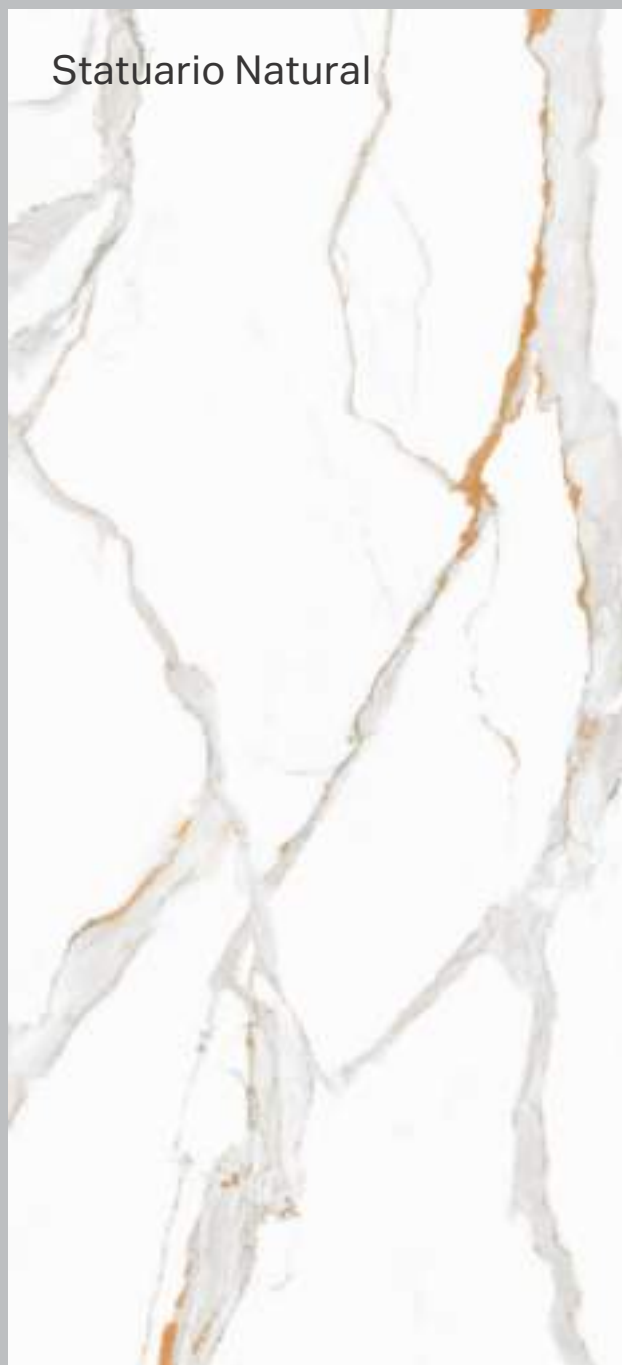
Rectified	12mm	1600x3200mm	63"x126"
Non Rectified	20mm	1450x3200mm	57"x126"



20mm - Single Face - 1

12mm - Random - 3

Rectified	12mm	1600x3200mm	63"x126"
Non Rectified	20mm	1450x3200mm	57"x126"



20mm - Single Face - 1



12mm - Random - 3

Rectified	12mm	1600x3200mm	63"x126"
Non Rectified	20mm	1450x3200mm	57"x126"



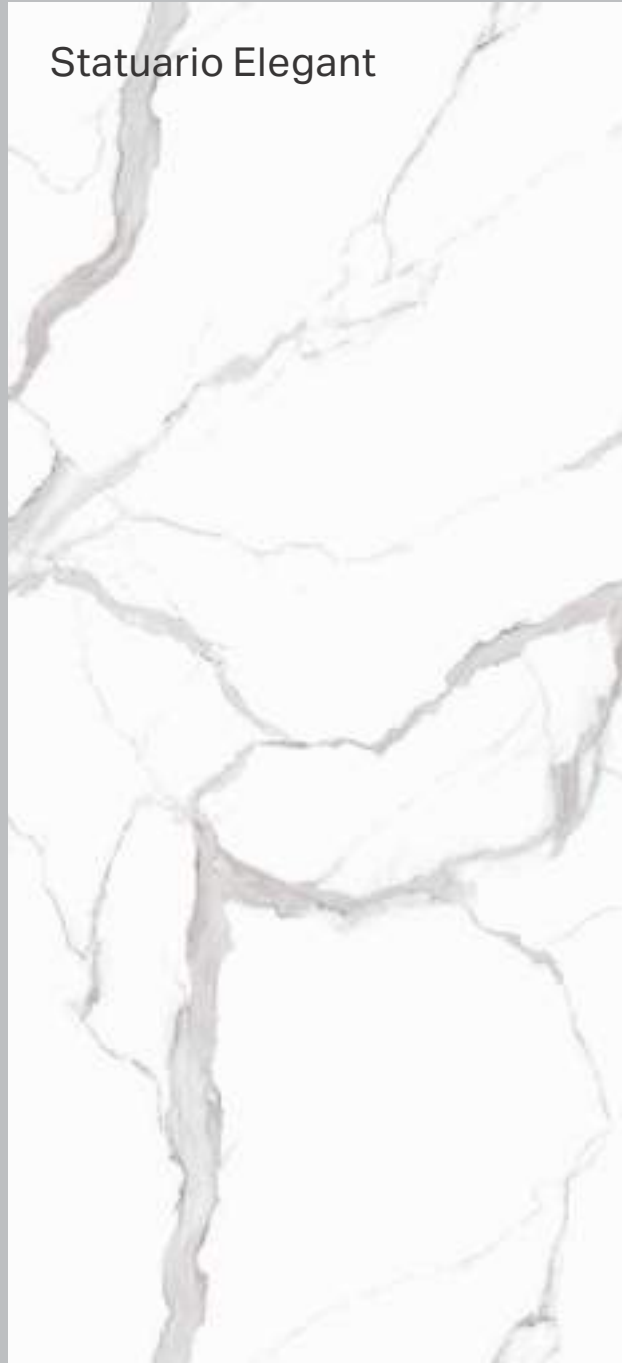
20mm - Single Face - 1



12mm - Random - 3

Rectified	12mm	1600x3200mm	63"x126"
Non Rectified	20mm	1450x3200mm	57"x126"

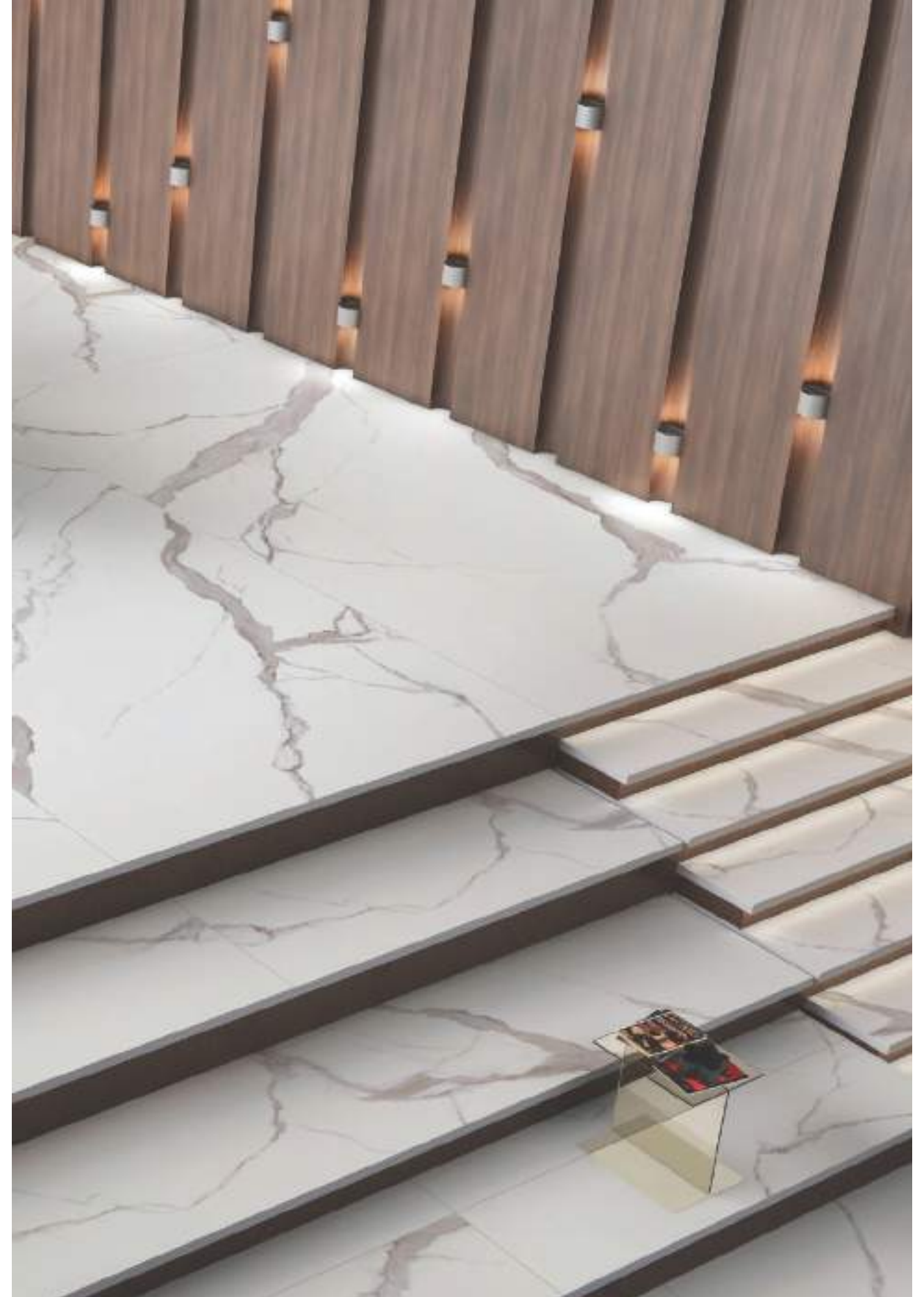
Statuario Elegant



20mm - Single Face - 1

12mm - Random - 3

Rectified	12mm	1600x3200mm	63"x126"
Non Rectified	20mm	1450x3200mm	57"x126"



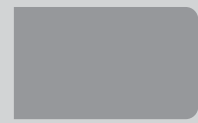
TECHNICAL SPECIFICATION

CHARACTERISTIC	STANDARD AS PER ISO13006:2018 / EN14411 Gr. Bla	METHOD OF TESTING	NEO SENSO	POLISHED (UG)	POLISHED (GL)
Regulatory Properties					
Deviation in Length and Width*	±0,30 % (±1,00 mm)	ISO 10545-2	±1,0 mm (±0,20 %)	±1,0 mm (±0,20 %)	±1,0 mm (±0,20 %)
Deviation in Thickness*	±5,0 % (±0,50 mm)	ISO 10545-2	±0,5 mm (±5,0 %)	±0,5 mm (±5,0 %)	±0,5 mm (±5,0 %)
Straightness in Side*	±0,30 % (±0,80 mm)	ISO 10545-2	±0,8 mm(±0,20 %)	±0,8 mm(±0,20 %)	±0,8 mm(±0,20 %)
Rectangularity*	±0,30 % (±1,50 mm)	ISO 10545-2	±1,2 mm(±0,20 %)	±1,2 mm(±0,20 %)	±1,2 mm(±0,20 %)
Surface Flatness Central Curvature*	±0,40 % (±1,80 mm)	ISO 10545-2	±1,8 mm(±0,20 %)	±1,8 mm(±0,20 %)	±1,8 mm(±0,20 %)
Surface Flatness Edge Curvature*	±0,40 % (±1,80 mm)	ISO 10545-2	±1,8 mm(±0,20 %)	±1,8 mm(±0,20 %)	±1,8 mm(±0,20 %)
Surface Flatness Warpage*	±0,40 % (±1,80 mm)	ISO 10545-2	±1,8 mm(±0,20 %)	±1,8 mm(±0,20 %)	±1,8 mm(±0,20 %)
Surface Quality	>95% defects free	ISO 10545-2	>95% defects free	>95% defects free	>95% defects free
Small Color Difference (For Plain Colour)	ΔE <1,00	ISO 10545-16	ΔE <0,80	ΔE <0,80	ΔE <0,80
Structural Properties					
Water Absorption	≤0,50 %	ISO 10545-3	≤0,080 %	≤0,080 %	≤0,080 %
Bulk Density	As per Manufacturer	ISO 10545-3	> 2,28 gm/cc	> 2,28 gm/cc	> 2,28 gm/cc
Massive Mechanical Properties					
Modulus of Rupture >7,5 mm	Min. 35,0 N/mm ²	ISO 10545-4	Min. 45,0 N/mm ²	Min. 45,0 N/mm ²	Min. 45,0 N/mm ²
Breaking Strength Thickness >7,5 mm (12 mm)	Min 1300,0 N	ISO 10545-4	Min 2500,0 N	Min 2500,0 N	Min 2500,0 N
Breaking Strength Thickness >7,5 mm (20 mm)	Min 1300,0 N	ISO 10545-4	Min 7500,0 N	Min 7500,0 N	Min 7500,0 N
Surface Mechanical Properties					
MOH'S Hardness	As per Manufacturer	BS EN 15771	Min 6	Min 4	Min 4
Surface Abrasion Resistance	As per Manufacturer	ISO 10545-7	PEI III	-	PEI II
Deep Abrasion	≥175 mm	ISO 10545-6	≥132 mm	≥132 mm	-
Thermal Hygrometric Properties					
Moisture Expansion	Max 0,06% (0,6 mm/m)	ISO 10545-10	Max 0,02 mm/m	Max 0,02 mm/m	Max 0,02 mm/m
Thermal Expansion(COE) at 100°C	As per Manufacturer	ISO 10545-8	Max. 6,0 x 10 ⁻⁶	Max. 6,0 x 10 ⁻⁶	Max. 6,0 x 10 ⁻⁶
Thermal Shock Resistance	Min 10 Cycle	ISO 10545-9	Min 10 Cycle	Min 10 Cycle	Min 10 Cycle
Impact Resistance(COR) #	Min. 0,55	ISO 10545-5	Min 0,55	Min 0,55	Min 0,55
Frost Resistance	As per Manufacturer	ISO 10545-12	Frost Proof	Frost Proof	Frost Proof
Crazing Resistance at 7,5 bar	4 Cycle	ISO 10545-11	-	-	4 Cycle
Chemical Properties					
Resistance to Staining	Min. Class 3	ISO 10545-14	Min. Class 4	Min. Class 4	Min. Class 4
Resistance to Household Chemicals & Swimming Pool	Min Class GB	ISO 10545-13	Min Class UB	Min Class UB	Min Class GB
Resistance to Low Concentrate Acid and Alkalis	As per Manufacturer	ISO-10545-13	Min Class ULB***	Min Class ULB***	Min Class GLB***
Resistance to High Concentrate Acid and Alkalis	As per Manufacturer	ISO-10545-13	Min Class UHB***	Min Class UHB***	Min Class GHB***
Safety Properties Skid Resistance - (DCOF-WET PENDULUM)	As per Manufacturer	BS 7976-2	P1	-	-
Slip Resistance - (DCOF- R Value)	As per Manufacturer	DIN 51130	R9	-	-
Lead and Cadmium release (lead Concentration)	As per Manufacturer	ISO-10545-15	<0,01 mg/dm ²	Does not yield	<0,01 mg/dm ²
Lead and Cadmium release (Cadmium Concentration)	As per Manufacturer	ISO-10545-15	<0,001 mg/dm ²	Does not yield	<0,001 mg/dm ²
* Whichever is less is applicable for Rectified Size N>=15 CM					
*** Except Hydrofluoric Acid & it's compound					
Note: Length and width, orthogonality and straightness are not applicable for the NOT-rectified material.					

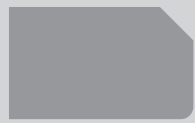
Packing details

PRODUCT	SIZES	ACTUAL SIZE	THICKNESS	TILES / BOX	COVERAGE AREA / BOX
NEOTRA	145x320cm	1450x3200mm	20mm	1	4.64 Sqm
	160x320cm	1600x3200mm	12mm	1	5.12 Sqm
	160x160cm	1600x1600mm	12mm	1	2.56 Sqm

Edge types



Flat



1/4 Bevel



1/4 Radius



1/2 Bullnose



Full Bullnose



Knife



Birds Beak



45° Corner



Soft Corner

Application Areas



Kitchen Counter Top



Vanity Top



Bathtub



Wash Basin



Table Top



Window and Door Sill



Floor & Wall



Staircase



Shower Base



Dining Table



Shelves

Transporting Neotra Advanced Surfaces

When removing the Neotra Advanced Surfaces from the A-frame (Fig-A), it is necessary to do it from alternate sides for greater safety. Removing one stone from one side and the next one from the other side keeps the load symmetrical and more stable.

To move single Neotra slab and position it on a rock or a machine that will process it to the finished stone, it is possible to use suction pad lifting equipment with several grab points supported by an overhead travelling crane (Fig-B) or a jib crane, depending on the weight of the individual slab.

The single slab can be moved overhead with cloth straps (Fig-C) or slings coated in rubber with overhead crane or with forklift truck (Fig-D). Never use chains or steel cable because these materials can damage the surface and edges. In fact, chains and steel would scratch the surfaces of stone and could leave steel residue on natural materials which would then require careful cleaning.

If handling with grippers, insert rubber grip covers to protect the slab.

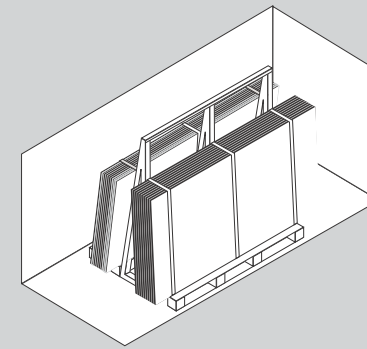


Fig-A

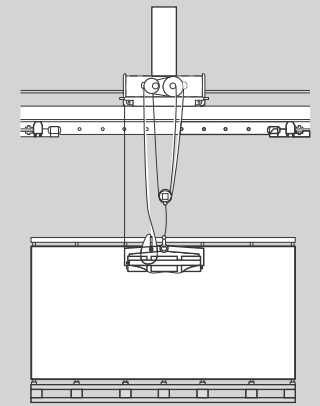


Fig-B

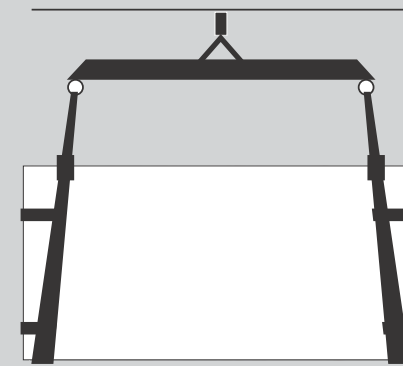


Fig-C

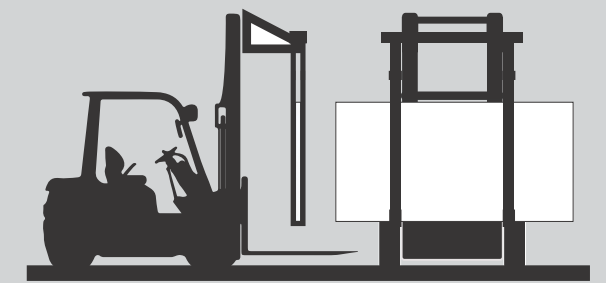
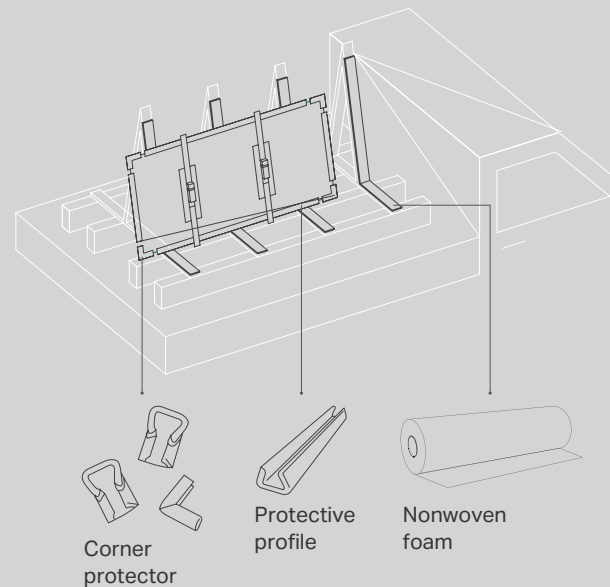


Fig-D

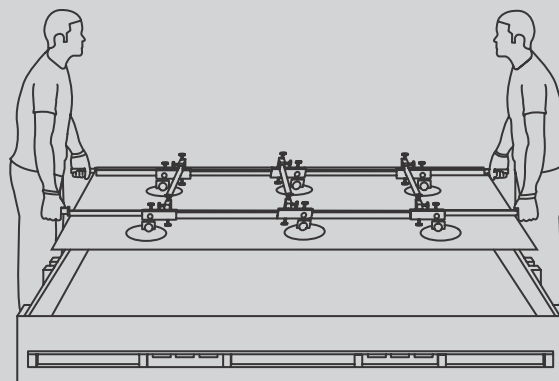
Transporting by Lorry

Place the material, with all edges and corners protected, vertically on trestles, securing them with canvas slings and protecting the ratchets. Special care must be taken with pieces with holes made in the workshop.



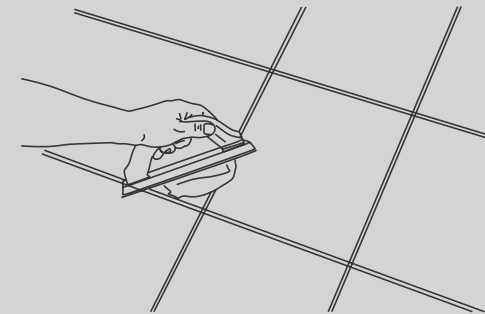
Movement with manual suction cups

For handling 12mm slabs efficiently and securely, it is recommended to use specialized suction cup runners and frames. Two types of suction cups are available: traditional and pump-equipped. The pump-equipped suction cups are preferable as they offer a stronger grip and the ability to re-establish the vacuum using the built-in pump, even after some time. Always ensure a strong vacuum seal between the lifting device and the slabs surface for safe handling and installation.



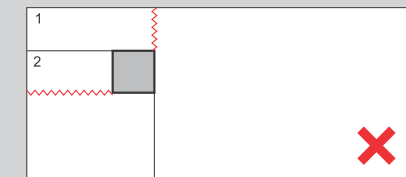
Instructions for manual installation

GROUTING LARGE FORMAT SLABS

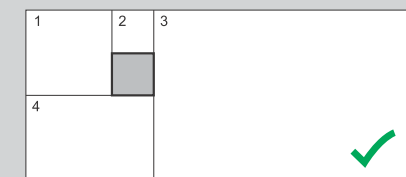


- The grout line between each SLAB must be at least 2 mm wide and must be increased according to the size and type of the SLAB, the area of use (floor or wall SLAB, internal or external) and the stresses expected when in service.
- To maintain the correct gap between each SLAB and reduce out-of-flatness between adjacent SLAB, it is recommended to use spacers between the SLAB (around one spacer every 50 cm).
- It is important to place the spacers in position before installing the SLAB and that the spacers are embedded in the adhesive.
- To make this operation easier, a special positioning tool may be used to correct the width of the grout line between adjacent SLAB and bring the SLAB to the position required.
- The grout lines may be filled with an epoxy grout. Always clean out the grout lines with a cutter, an abrasive scraper, etc. before grouting.
- Clean the grout by using a small amount of water and an abrasive pad (such as Scotch Brite) followed by a firm cellulose sponge, taking care not to remove the grout.
- The cleaning of floor and wall SLAB grouted with epoxy mortar must be carried out while the grout is still fresh, with a higher amount of water if necessary, in order to completely remove all epoxy resin residuals.

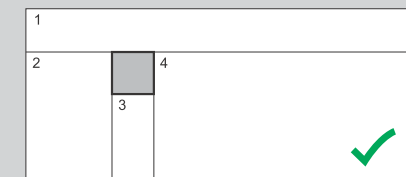
OTHER CONSIDERATIONS



Joint with a column using L-shaped pieces



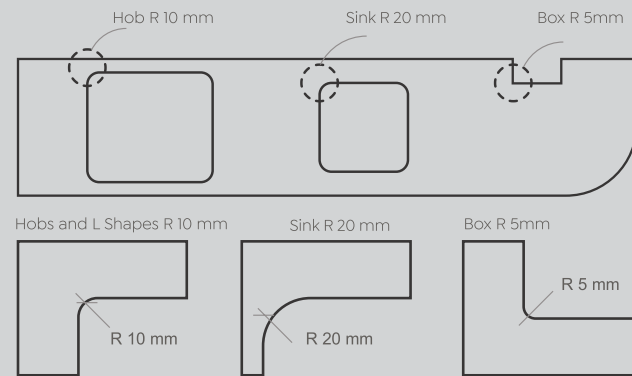
Joint with a column using straight pieces - OPTION A



Joint with a column using straight pieces - OPTION B

- Joints with columns, mortises or other elements.
- L-shaped pieces are not recommended.
- Therefore, in order to deal with joints with elements that “break” the continuity of the flooring, it is recommended to divide it into as many pieces as necessary.
- The aim is to avoid loose and flimsy ‘arms’ on the floor tiles, as this area of the material is very susceptible to breakage.

CUTOUTS



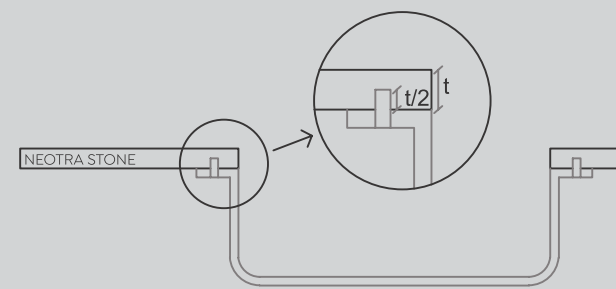
A minimum of 4mm radius is mandatory for inside corners except for L Shapes, where 10 mm is required. Above are recommended examples of cut-outs for fittings such as sinks, hobs, columns, etc.

EDGES FINISHING

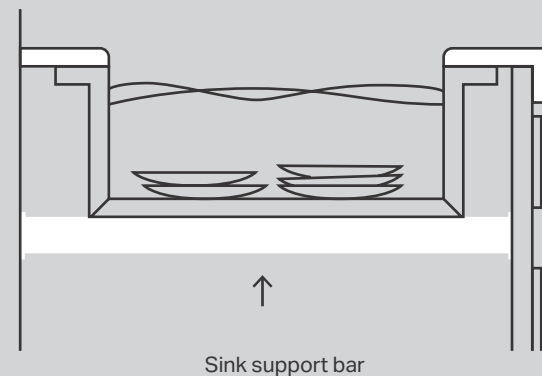


Edges can be finished by using sanding discs fitted onto hand held angle grinder. The same result can be obtained by hand using abrasive diamond sponges or emery paper. With a light passage on the side of the slab, you can obtain a slightly rounded-off edge or with repeated passages a bevelled effect.

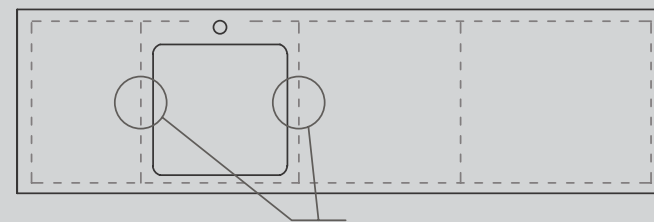
DRILLS AND SLITS



All incisions, slits or drills must pass through the material a maximum of half of the thickness.



Furthermore, for large sinks, we recommend placing support bars under the sink, so that its weight is borne by the bars and not (by) the worktop.



Assure, the countertop support on the cabinet rails surrounding the cutout.

Working with the various version of Neotra Advanced Surfaces

CUTTING WITH DIAMOND DISCS



All products of Neotra can be cut using diamond discs fitted onto the hand-held electrical grinding machine. In this case, the SLAB will have a cleaner and better defined edge than by cutting and breaking the SLAB.

Before starting, check the following:

- The cutting table should be solid and robust.
- It must be perfectly flat and level (the quality is improved using a Rubber surface, to buffer the blade vibrations).
- Check that the surface that the Neotra Advanced Surfaces is placed on is in good condition (the piece is perfectly supported and there are no surface irregularities that affects the adhesion of the Neotra Advanced Surfaces).
- Only use standardized blades to cut Neotra Advanced Surfaces. Generally, these tools work at slow speeds and are highly cooled.
- The blade must be in good condition (the tool should be within its product life cycle and there should be no surface damage).
- The cooling process for this type of work is very important. The coolant flow must point directly at the cutting point and not indirectly. Use the maximum flow allowed by the machinery.
- If it is a special machine where the cutting process can be carried out immersed in water, this process should always be used to optimize the cooling process, to improve the surface quality and extend the life of the tool.

The recommended cutting speeds of blades for Neotra Advanced Surfaces are as follows:

- For 5.5 mm NEOTRA ADVANCED SURFACES: 1 m/min - 1.5 m/min*
- For 12 mm NEOTRA ADVANCED SURFACES: 1 m/min - 1.5 m/min*
- For 20 mm NEOTRA ADVANCED SURFACES: 0.5 m/min - 1 m/min*

* Depending on the type of blade to be used and the brand, it is necessary to adjust the specific revolutions and speeds. To do so, use a suitable blade depending on the type of machinery available. If the machine has a frequency converter, any blade out of those recommended can be used, by simply adjusting the revolutions.

Requirements of machine

- Cooling water flow focused on the cutting area
- Use large flange
- Support of larger dimension of the Neotra Advanced Surfaces
- Sharpen frequently the diamond
- Well-levelled bed support
- Blade depth 1/8 inch to 3/16 inch on the cutting be

If the edges of the SLAB are sharp or uneven after it has been broken, clean and smooth the edges with a diamond pad or an abrasive discs.

